



RINGWAY

Control & Automation

Head Office

Ringway Control & Automation
ABN 47 087 315 179
4 Lady Penrhyn Dr,
Unanderra, NSW 2526
products@ringway.com.au
Ph 02 4255 4300 Fax 02 42718990

Mackay Office

Ringway Materials Handling
Unit 10 Woodman Pde,
Mackay, QLD 4740
products@ringway.com.au
Ph 07 49524001 Fax 07 49522216



IS DUAL RELAY RECEIVER

P/N – RLISRX2_DC

Ex ia – IECEx TSA 08.0029X

RINGLINE TWO CHANNEL RELAY RECEIVER WITH 24VDC SUPPLY

DESCRIPTION:

RLISRX2_DC is a galvanically isolated, DIN-Rail mounted, 2 channel relay output receiver module, which decodes two discrete channels from the Ringline System. The decoded channels directly control the status of two change-over relay outputs for use in client circuitry. It is powered from 24VDC.

FEATURES:

- **Simple, robust and functional.**
- **Low Voltage DC Supply.**
- **Status indication for “Power ON”, “Signal OK”, “Relay 1” and “Relay 2”.**
- **Standard DIN rail mount enclosure.**
- **Optical isolated between client circuitry and the Ringline field bus.**
- **Direct connection to Intrinsically Safe Ringline without barriers.**
- **Read only. Cannot interfere with the integrity of the Ringline Emergency Stop System.**
- **High reliability in noisy environments.**

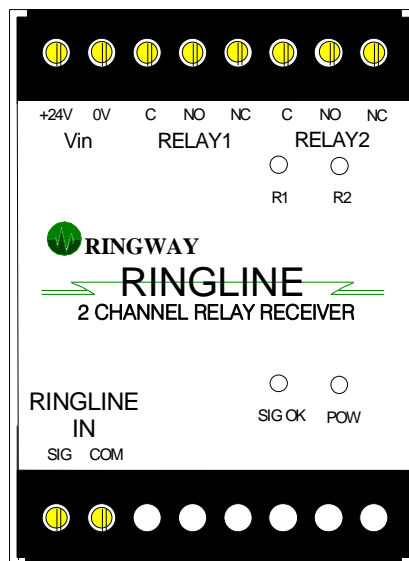
APPLICATIONS:

This unit was originally designed to provide sequence control for the Ringline Emergency Stop System. In this format the normally open interlock of Relay 1 is wired in series with the normally closed interlock of Relay 2 to provide a dual channel ‘Run’ permissive command mounted in any equipment to be sequenced. It may however be used as two general purpose receivers for any two channels on the Ringline system. It may be used on either Ringline 128 or Ringline 192. Each relay output provides a single pole change-over contact.

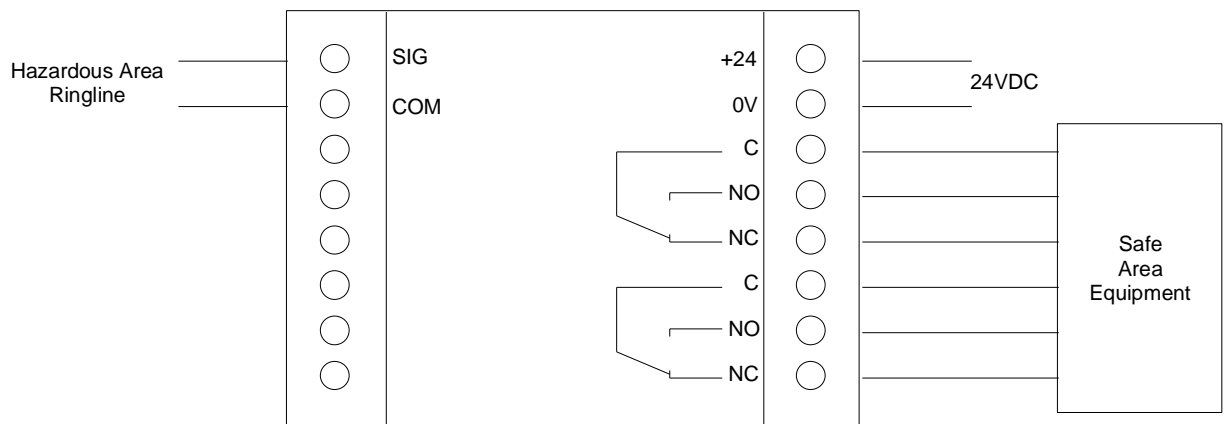
Application Note: When switching inductive loads it is recommended that back EMF surge suppression be used at the source of the back EMF surge (i.e. the contactor coil). This will help preserve contact tips.

BRIEF TECHNICAL SPECIFICATIONS:

Power Supply:	20-28VDC, 116mA max
Input:	Ringline field bus. 128 or 192 channels
Isolation from Ringline Field Bus:	5000 volts
Input Isolation Protection:	Fused 250V 4kA
Addressing:	Fixed at Factory. (May be factory altered)
Signal Noise Filtering:	Three cycles
Output:	2 x Single pole changeover contacts.
Contact Isolation from Control Supply:	4000V
Contact Ratings Resistive Load:	8A max 250VAC 30VDC
Contact Ratings Inductive Load:	2A max 250VAC 30VDC (see application note)
Dimensions:	55mm (W), 75mm (H), 110mm (D)
Certification:	IECEX TSA 08.0029X



Face Plate Showing Terminals and Indication



Typical Terminations